

Submitted by staff  
at 4/6/2016  
committee meeting.  
Item 1

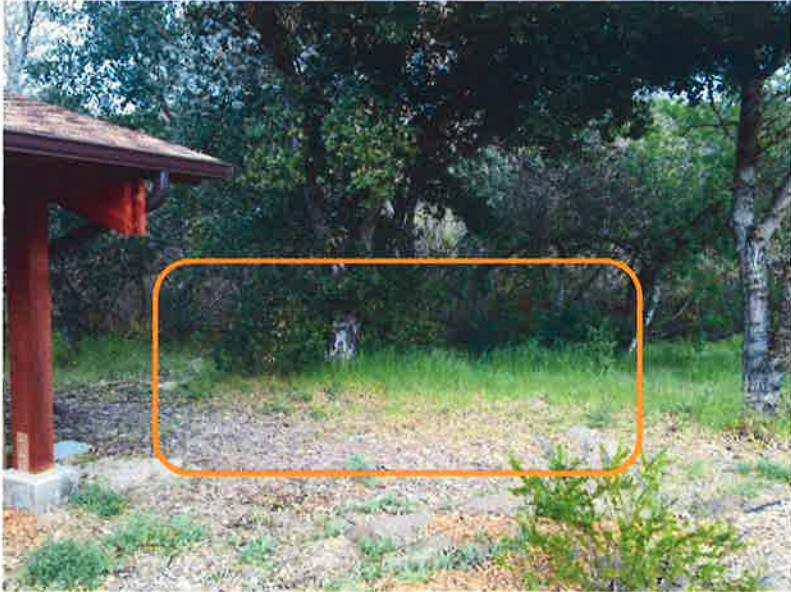
Garland Ranch Rainwater Harvesting project at the Visitor Center



Installation Location:

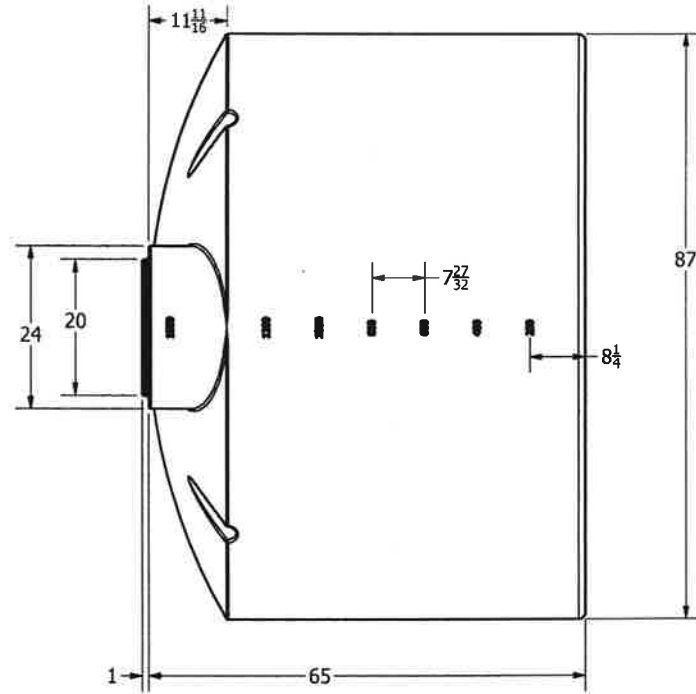
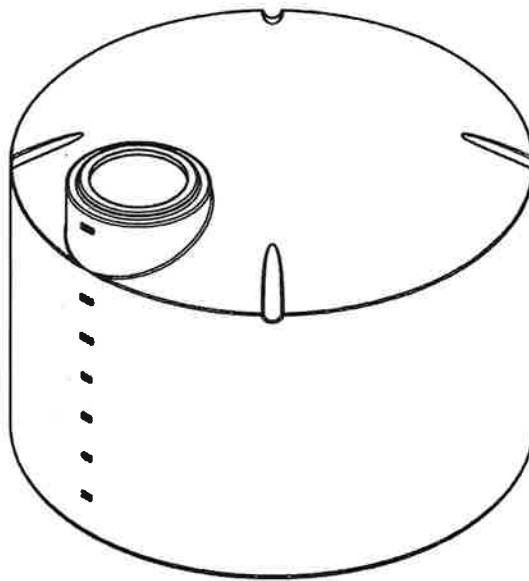
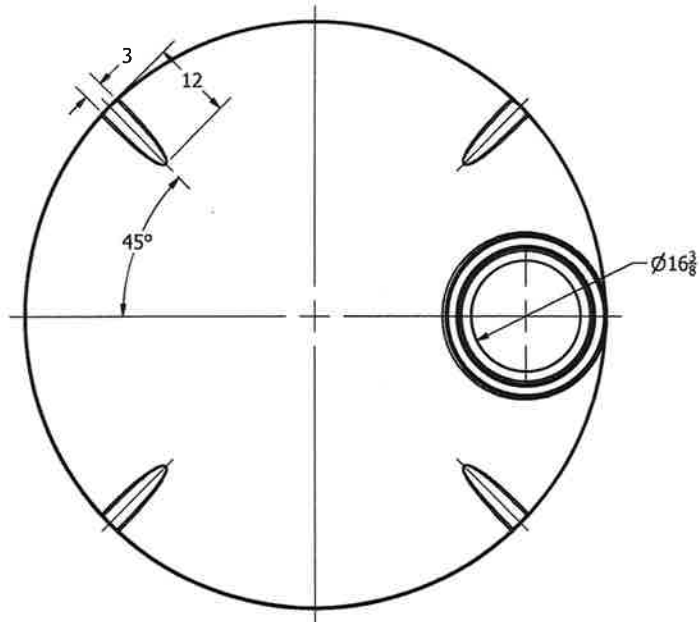



Installation Location:



Irrigation Area:





REVISION HISTORY				
REV	DESCRIPTION	DATE	AUTHOR	
A	REDRAWN	1/2/1997		
B	REDRAWN	7/9/2013	Michael Holden	
DRAWN Jerry Paulson	1/2/1997	 NORWESCO, INC. SAINT BONIFACIUS, MN TITLE <b>1550 GALLON VERTICAL TANK</b>		
CHECKED				
QA				
MFG				
APPROVED		SIZE <b>B</b>	DWG NO	REV <b>B</b>
SCALE: 1/16		SHEET 1 OF 1		

Garland Park Quote							
Jackie Nelson, Stephanie Kister							
Item List	Vendor	Quantity	U/M	Cost	Material Ext Cost	Labor Cost	Total Cost
<b>1) Site Prep</b>							
a) Rectangular Pad (18'L x 9'3"W)							
-4" Compacted Base Rock, 2" Compacted DG							
-Note: This is inside dimension							
1) Total Site Preparation Estimate for this Qu		1	ea	\$1,000.00	\$500.00	\$500.00	\$1,000.00
<b>2) Tank</b>							
1500 gallon tank (87dx67h)	SVSS	2	ea	\$900.00	\$1,800.00		
Delivery Charge		1	ea	\$100.00	\$100.00		
2) Subtotal							\$1,900.00
<b>3) Filtration, Wet Conveyance, and Inlet/Overflow</b>							
100' Easyongutterguard	Costco.com	1	ea	\$250.00	\$250.00		
12" Post Mounted First Flush (24	RHS	1	ea	\$129.95	\$129.95		
12" Schedule 40 Pipe	RHS	4	ft	\$25.00	\$100.00		
3" Bulkhead Adapter (TF300)	SVSS	1	ea	\$45.21	\$45.21		
3" Sched 40 Tee	SVSS	2	ea	\$8.41	\$16.82		
3" Sched 40 90 Ell	SVSS	4	ea	\$5.73	\$22.92		
3" Sched 40 MA (sxt)	SVSS	1	ea	\$4.36	\$4.36		
3" Sched 40 FM Adapter (Cleano	SVSS	1	ea	\$3.72	\$3.72		
3" Threaded Plug (Cleanout)	SVSS	1	ea	\$3.81	\$3.81		
Rect Purple Irrigation Box (Clean	SVSS	1	ea	\$39.43	\$39.43		
3" Sched 40 Pipe	SVSS	30	ft	\$1.73	\$51.90		
MISC Fittings/Delivery		1	ea	\$150.00	\$150.00		
3) Subtotal							\$818.12
<b>4) Flexible Connection between Tanks</b>							
2" Ball Valve Banjo type "F"	GRKA	2	ea	\$40.00	\$80.00		
2" CAM Hose Shank Type C	GRKA	2	ea	\$11.00	\$22.00		
2" Tigerflex Hose	GRKA	6	ft	\$2.75	\$16.50		
2" Automated Hose Clamp	GRKA	2	ea	\$10.00	\$20.00		
4) Subtotal							\$138.50
<b>5) Overflow</b>							
3" Bulkhead Adapter	SVSS	1	ea	\$45.21	\$45.21		
3" pvc sched 40 pipe	SVSS	10	ft	\$1.73	\$17.30		
3" MA txs	SVSS	2	ea	\$4.36	\$8.72		
3" 90 ell sxs	SVSS	3	ea	\$5.73	\$17.19		
3" Swing Check Valve (sxs)	SVSS	1	ea	\$42.60	\$42.60		
3" Mozzie Stoppa	RHS	1	ea	\$11.95	\$11.95		
5) Subtotal							\$142.97
<b>6) Water Distribution by Hose/Water Level Indicator</b>							
3/4" bulkhead Adapter	Ewing	1	ea	\$5.95	\$5.95		
3/4" nipple	Ewing	1	ea	\$0.75	\$0.75		
3/4" ball valve threaded	Ewing	1	ea	\$5.97	\$5.97		
3/4" Brass hose connector PT/H	Ewing	1	ea	\$2.41	\$2.41		
Liquidator 2 Water Level Gauge	RHS	1	ea	\$188.95	\$188.95		
2" Sched 40 Pipe	HD	10	ft	\$1.00	\$10.00		
Non Potable Water Stickers	RHS	4	ea	\$3.95	\$15.80		
6) Subtotal							\$229.83
<b>7) Water Distribution by Pump</b>							



## Upcoming Events

Submitted by staff  
at 4/6/2016  
committee meeting  
Item 1

April 9-10<sup>th</sup>, Good Old Days

April 23<sup>rd</sup>, Home Depot Stealth Event

April 19-28<sup>th</sup>, Earth Day Events @ Naval Post Graduate School, Monterey Peninsula College and the Defense Language Institute

April 30<sup>th</sup>, Arbor Day for City of Carmel

May 14<sup>th</sup>, Rainwater Class @ Cal-Am

May 21<sup>st</sup>, Greywater Class @ Cal-Am

June 4<sup>th</sup>, Irrigation Efficiency Class @ Cal-Am

June 12<sup>th</sup>, Rainwater Harvesting System Demo Install at Garland Ranch