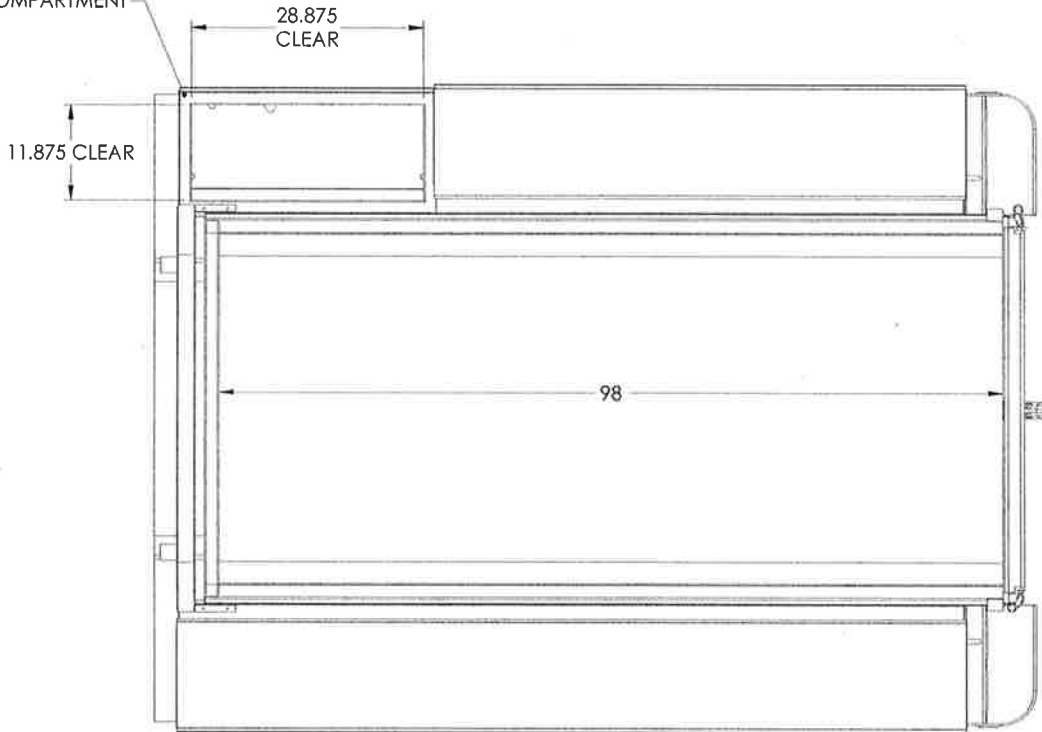


**EXHIBIT 5-B**

**101897 - 98" SERVICE BODY WITH DUMP INSERT**


1 1/2" TUBING REINFORCEMENT  
ON TOP OF COMPARTMENT



CUSTOMER SIGNATURE X \_\_\_\_\_

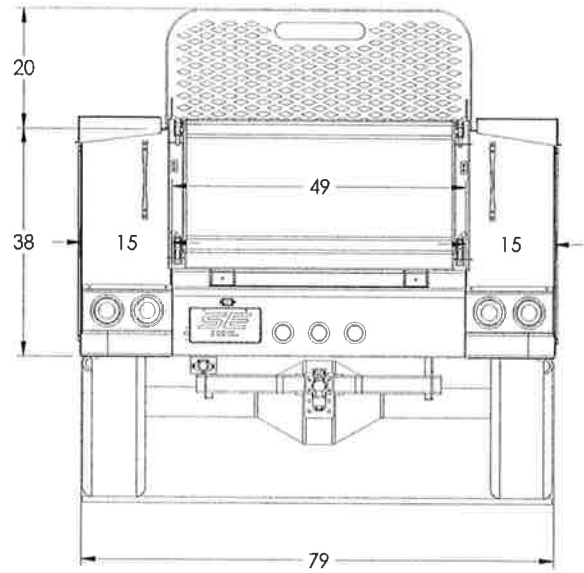
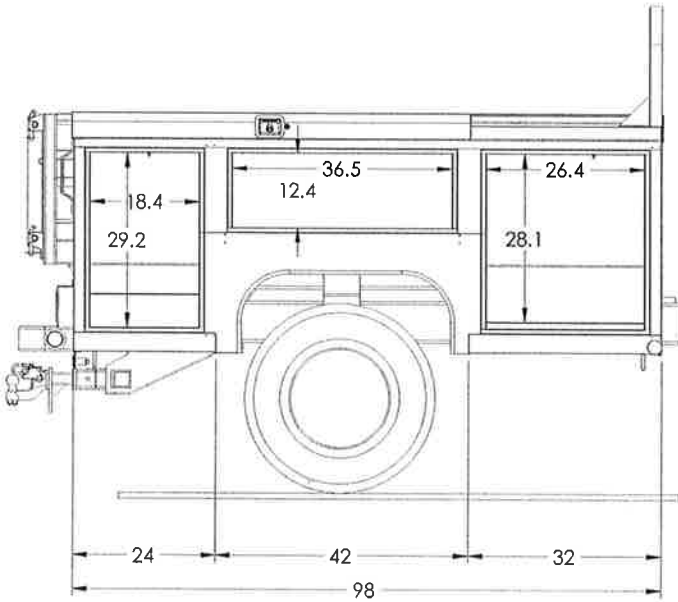
REV.	ECO.	DESCRIPTION OF REVISION	DATE	APP'D BY:
0	---	DRAWING CREATED	3/30/2015	KDO

THIS DRAWING OR DOCUMENT AND/OR ELECTRONIC DATA, OR COPY THEREOF, IS THE PROPERTY OF SCELZI ENTERPRISES, INC. & IS CONSIDERED PROPRIETARY & CONFIDENTIAL. DISCLOSURE OF THIS INFORMATION IN ANY FORM, IN WHOLE OR IN PART, TO ANY THIRD PARTY IS STRICTLY PROHIBITED WITHOUT THE EXPRESS ADVANCED WRITTEN PERMISSION FROM AN AUTHORIZED REPRESENTATIVE OF SCELZI ENTERPRISES, INC. USERS OF THE INFORMATION CONTAINED HEREIN SHALL TAKE APPROPRIATE MEASURES TO ENSURE THIS INFORMATION REMAINS CONFIDENTIAL.

 <b>SCELZI ENTERPRISES, INC.</b> 2772 S. CHERRY AVE., FRESNO, CA 93706				PART NO:
				DRAWN BY: ERV    YEAR: 2015    CA: 56"
DATE: 4/1/2015	MAKE: FORD	MODEL: F-250 REG CAB		WORK ORDER: 101897
SCALE: 1:18	LAYOUT: 3 OF 3	DWG NAME: DIM LAYOUT		
SHEET SIZE: A	101897			
DEALER: DOWNTOWN FORD	CUSTOMER: CITY OF WALNUT CREEK - PARKS DIV.			
DESCRIPTION: 98" SERVICE BODY WITH DUMP INSERT				

**EXHIBIT 5-B**

**101897 - 98" SERVICE BODY WITH DUMP INSERT**



CUSTOMER SIGNATURE X \_\_\_\_\_

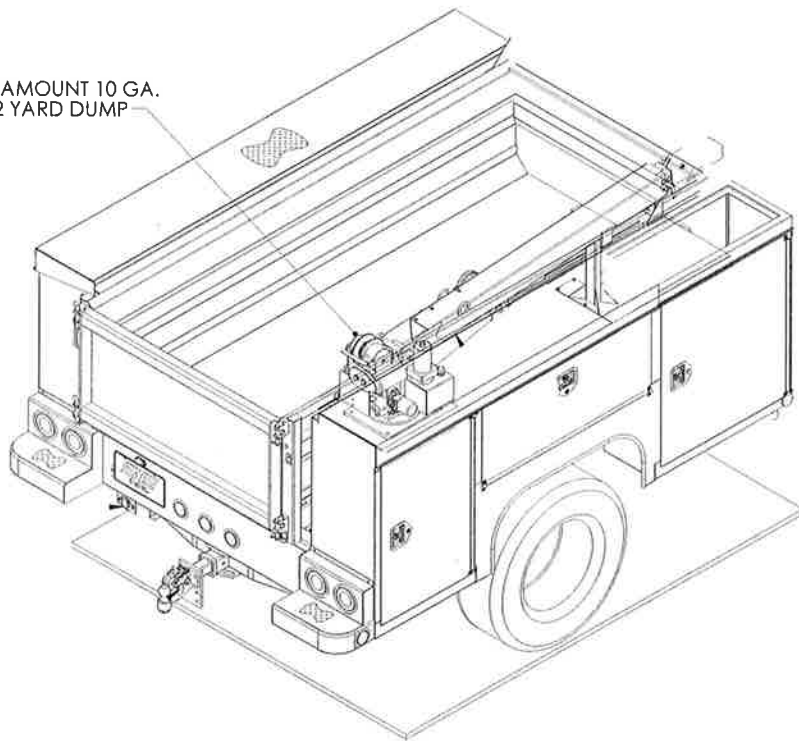
REV.	ECO.	DESCRIPTION OF REVISION	DATE	APP'VD BY:
0	---	DRAWING CREATED	3/30/2015	KDO

THIS DRAWING OR DOCUMENT AND/OR ELECTRONIC DATA, OR COPY THEREOF, IS THE PROPERTY OF SCELZI ENTERPRISES, INC. & IS CONSIDERED PROPRIETARY & CONFIDENTIAL. DISCLOSURE OF THIS INFORMATION IN ANY FORM, IN WHOLE OR IN PART, TO ANY THIRD PARTY IS STRICTLY PROHIBITED WITHOUT THE EXPRESS ADVANCED WRITTEN PERMISSION FROM AN AUTHORIZED REPRESENTATIVE OF SCELZI ENTERPRISES, INC. USERS OF THE INFORMATION CONTAINED HEREIN SHALL TAKE APPROPRIATE MEASURES TO ENSURE THIS INFORMATION REMAINS CONFIDENTIAL.

<b>SE</b> SCELZI ENTERPRISES, INC.		2772 S. CHERRY AVE., FRESNO, CA 93706	
DRAWN BY: ERV	YEAR: 2015	CA: 56"	PART NO:
DATE: 4/1/2015	MAKE: FORD		
SCALE: 1:24	MODEL: F-250 REG CAB		WORK ORDER:
LAYOUT: 2 OF 3	DWG NAME: BOM LAYOUT		101897
SHEET SIZE: A	101897		
DEALER: DOWNTOWN FORD	CUSTOMER: CITY OF WALNUT CREEK - PARKS DIV.		
DESCRIPTION: 98" SERVICE BODY WITH DUMP INSERT			

**EXHIBIT 5-B**


PARAMOUNT 10 GA.  
2 YARD DUMP



CUSTOMER SIGNATURE X \_\_\_\_\_

REV.	ECO.	DESCRIPTION OF REVISION	DATE	APP'VD BY:
0	---	DRAWING CREATED	3/30/2015	KDO

THIS DRAWING OR DOCUMENT AND/OR ELECTRONIC DATA, OR COPY THEREOF, IS THE PROPERTY OF SCELZI ENTERPRISES, INC. & IS CONSIDERED PROPRIETARY & CONFIDENTIAL. DISCLOSURE OF THIS INFORMATION IN ANY FORM, IN WHOLE OR IN PART, TO ANY THIRD PARTY IS STRICTLY PROHIBITED WITHOUT THE EXPRESS ADVANCED WRITTEN PERMISSION FROM AN AUTHORIZED REPRESENTATIVE OF SCELZI ENTERPRISES, INC. USERS OF THE INFORMATION CONTAINED HEREIN SHALL TAKE APPROPRIATE MEASURES TO ENSURE THIS INFORMATION REMAINS CONFIDENTIAL.

 <b>SCELZI ENTERPRISES, INC.</b> 2772 S. CHERRY AVE., FRESNO, CA 93706			
DRAWN BY: ERV DATE: 4/1/2015 SCALE: 1:24 LAYOUT: 1 OF 3 SHEET SIZE: A	YEAR: 2015 MAKE: FORD MODEL: F-250 REG CAB DWG NAME: BOM LAYOUT 101897	CA: 56" PART NO:	DESCRIPTION: 98" SERVICE BODY WITH DUMP INSERT